

## CHANNEL INSTALLATION CHECKLIST

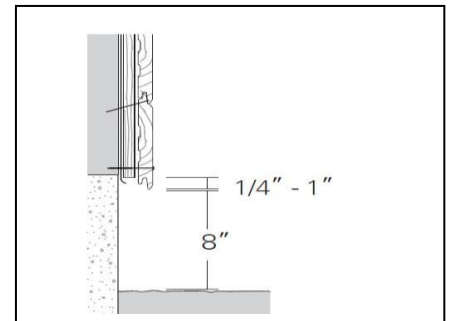
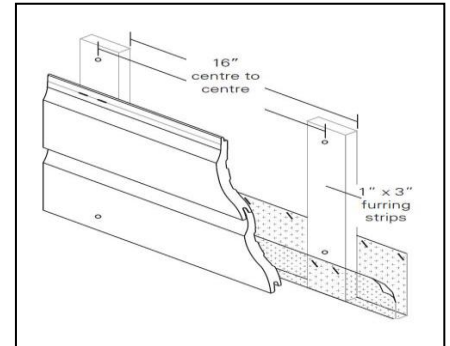
### WALL VENTILLATION AND HUMIDITY CONTROL

\*\*\* To ensure optimal product performance. It is essential that an air chamber be created behind the siding

1. Install 1" x 3" minimum furring strips to the studs every 16 inches.
2. Install the breather membrane and flashing according to building codes. Install metal flashing over openings and in areas where moisture drainage is needed.
3. At the base of the wall, staple screening to provide proper wall ventilation and to prevent rodent and insects infestation.
4. Allow a minimum clearance of;

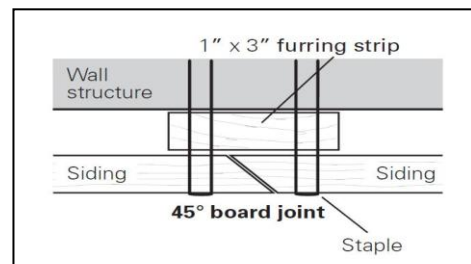
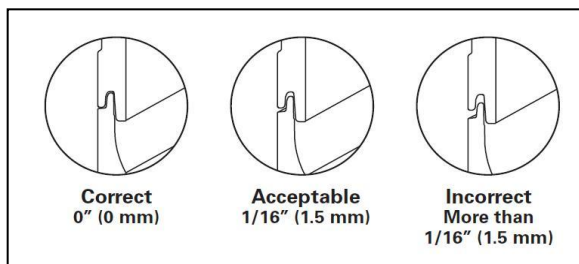
- 8" from the ground, (the siding should never touch the ground.)
- 1" adjacent horizontal structures (decks, low wall, molding)
- 2" from roof shingles.

5. A minimum penetration of 1-1/4" in a solid substrate is important.



### FITTING BOARDS TOGETHER

1. Fit boards tightly into one another lengthwise with a maximum variance of 1/16" between boards.



### FIXATIONS

1. For siding, only use 2" long staples, 7/16" crown, 16 gauge, galvanized or stainless steel. Staples must be positioned directly along the fastening line. Install two staples on each furring strip at a 20 degree angle, leaving a 3/4" space between them. The staple head must not sink into the wood but sit flush on the surface.
2. For moldings, use galvanized ring shank nails with textured heads. The nail head must not sink into the wood but sit flush on the surface.